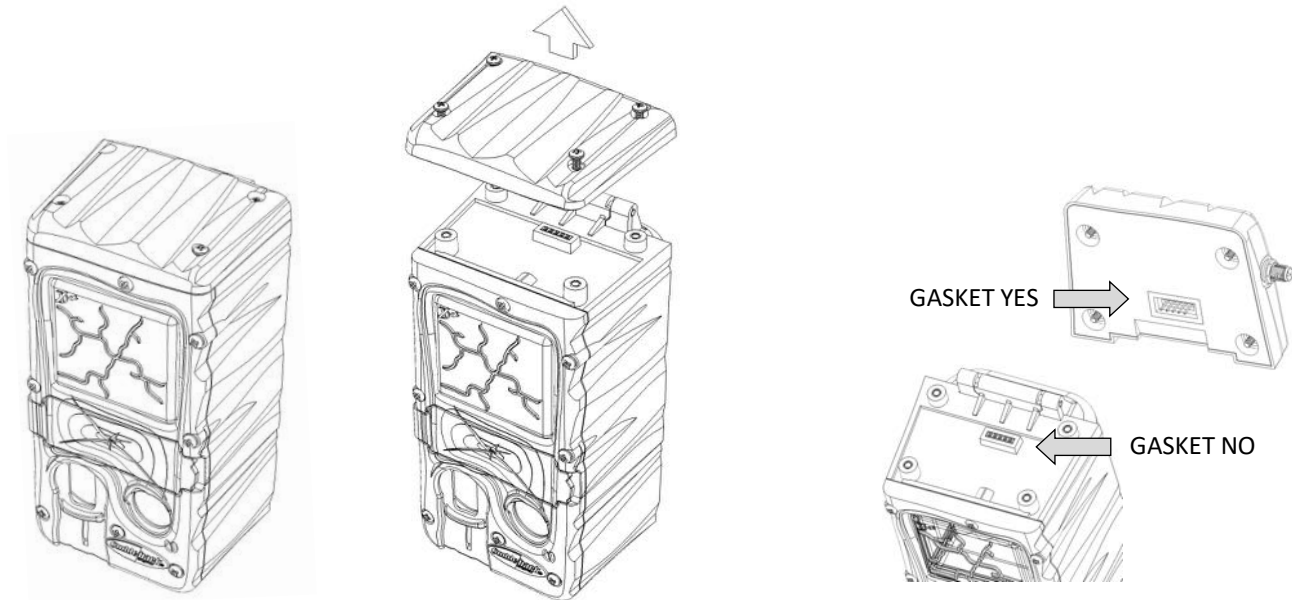
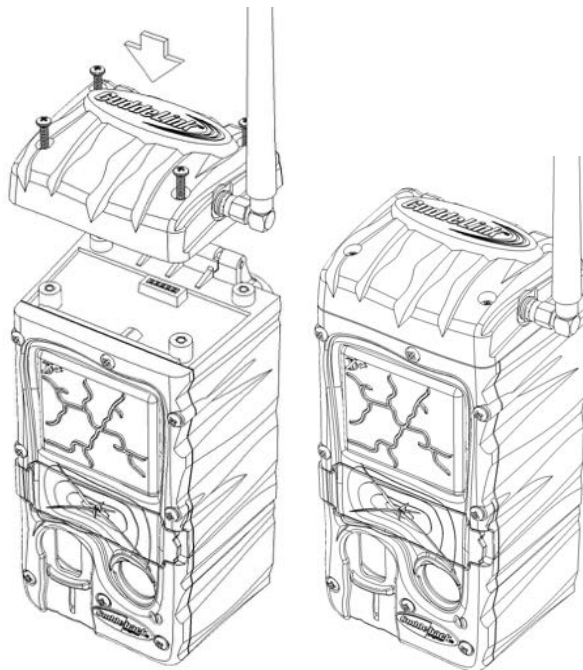


Installing the CuddeLink Cell Cap



Step 1. Remove the 4 screws on the top of the Cuddeback Dual Flash camera and lift off the top.

Step 2. Notice the connections and gaskets on the camera and the CuddeLink Cap. Make sure there is *not* a rubber gasket on the camera and there *is* a gasket on the cap.



Step 3. Install the CuddeLink Cap onto the camera. Make sure the connector is properly inserted. Secure with the 4 screws supplied with the CuddeLink Cap. Install the antenna.

Step 4. Firmware Update. We are continuously improving the CuddeLink performance via firmware updates. We recommend you visit www.cuddeLink.com to check for updates.

Because CuddeLink is a network of cameras it is important that the same firmware version is installed on all your CuddeLink cameras. Depending upon when you purchased your CuddeLink camera it is possible that newer cameras may not have the same firmware as older cameras. Refer to other side of this sheet for details on how to assure you have the latest firmware.



CuddeLink Firmware

It is critical that all your CuddeLink cameras are operating with the same firmware.

To check the version of your CuddeLink camera navigate to COMMANDS, then press MORE consecutive times until **F/W VER** is displayed. Then press UP consecutive times to display **CL F/W** version.

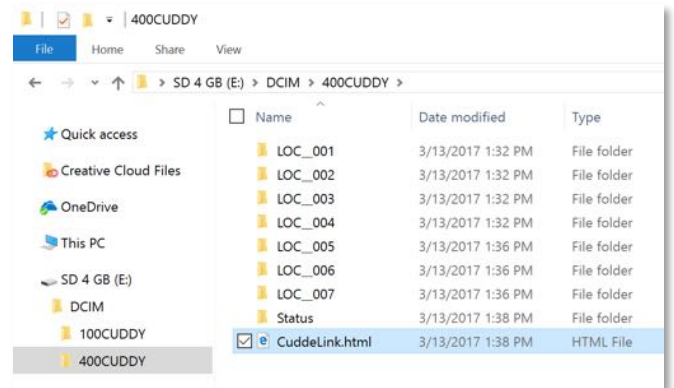


The CuddeLink version numbers must be the same on all your CuddeLink cameras

You can also check the CuddeLink firmware version of all remote cameras from the Home camera's SD card.

Step 1. To check the version of your CuddeLink camera insert the SD card from the Home camera into your computer. Open the SD card **DCIM** folder. Open the **400CUDDY** folder. Click to open **CuddeLink.html** file.

Step 2. Notice that each of your remotes cameras is displayed. Notice the column labeled **CL Version**. If all your CuddeLink cameras do not have the same version you will need to update all your CuddeLink cameras.



Date: 3/13/2017												
#	Mode	Location ID	Camera ID	Level	Links	Battery	Image Queue	SD Images	SD Free Space	HW Version	FW Version	CL Version
1	Home	000	HOME	-	-	OK	0	2141	7504 MB	G23	5.0.50	5.0.33

How to Install Firmware.

1. To download the latest firmware visit www.cuddeback.com and click **FIRMWARE** in the menu at the top of the page and follow onscreen instructions.
2. Download the latest firmware file and copy it to the SD card. You can use this SD card to update all your cameras.
3. You must update the HOME camera first. Insert the SD card into the Dual Flash SD card socket.
4. Press MODE until COMMANDS is enabled.
5. Press MORE consecutive times until LOAD F/W is displayed.
6. Press UP and CONFIRM will be displayed. Press UP to load the firmware.
7. After the f/w load is complete, configure the HOME camera as required and arm.
8. Continue to use the same steps to update all your remote cameras and repeaters.

